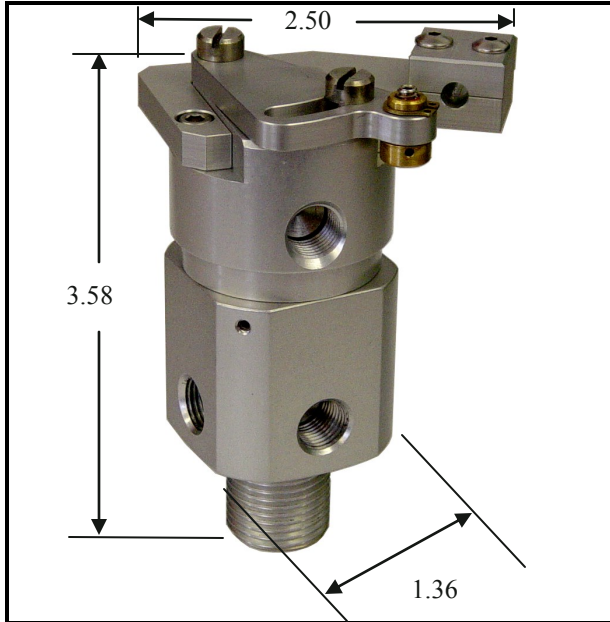




REMOTE REGULATOR-VALVE DEVICE FOR COMPOSITE FIBER-WRAPPED CYLINDERS



General Description

The Aerox® Remote Regulator-Valve is designed to provide regulated oxygen pressure to pilot, passengers, fill access port, and high-pressure contents gauge line port. The valve is actuated from the cockpit via on/off cable control. Supply pressure can be pre-set (fixed flow) or manually adjusted for proper flow rate. All aluminum and brass construction provides a durable body with protection from pressure shock and ignition.

Function

The oxygen flow is commenced by pulling the actuator arm forward, allowing the 100 LPM (minimum) regulated oxygen to flow to the two available 1/8" NPT outlets. Four high-pressure receptacles provide ports for the safety relief valve, pressure gauge, MS Type filler, and accessory options.

Specifications

Part Number: 4110-110*

Dimensions:

Height: 3.585"

Width: (Body) - 1.360 X 1.360 Square
(Bracket) - 2.500"

Weight: 0.625 Lbs.

Material: Aluminum/Brass

High-pressure oxygen wetted parts made of Brass CDA 360 to prevent pressure shock and ignition.

Low-pressure oxygen wetted parts and outlet line made of Aluminum 6061-T6 and Brass CDA 360.

Inlet: 3/4"-16 UNF Thread

Inlet (service) Pressure: 250 to 1850 psi

Outlet Pressure: 50 +/- 10 psi

End (Back) Pressure: 65 +/- 10 psi

Outlet Flow: 100 to 150 LPM

Safety Relief Pressure Range: 2775 psi

Operating Temp. Range: -20F To +130F

Filling Device: One way valve 3/8-24 UNF

Seals: O-Rings, Silicon, and Viton

Lubrication: Krytox, GPL-226

Service Life: No limits when overhauled every five (5) years.

* P/N is upgraded to 4110-140-X when fittings are installed by aerox®.